

LUXON AZUD

LFH

Automatic hydraulic screen filters suitable for all applications, and available in a wide range of micron sizes, all with the same high quality guarantee of AZUD.



ADVANTAGES

- ✓ **Energy Efficient:** The consumption of water in the flushing cycle is minimal.
- ✓ **Wide selection of screens:** Screens available from 80 to 1000 micron.
- ✓ **Versatility:** Inlet/Outlet from 4" to 12" // 100-300 mm.
- ✓ **Resistance:** Temperatures to 60° C (140° F).
- ✓ **Large screen area:** Up to 12000 cm² (1860 in²).
- ✓ **Resistant material:** The screen is manufactured in high quality stainless steel.
- ✓ **Time saving:** The filtration process and the flushing cycle occur simultaneously.
- ✓ **Easy installation:** The filters are delivered to be installed.

There are solutions available for working with pressures higher than 1 bar / 145 psi or saline water. Control unit is included.

TECHNOLOGY

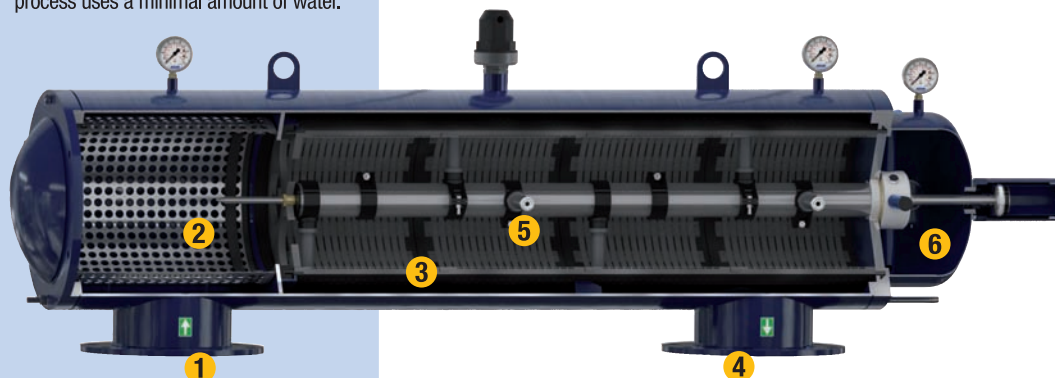
AZUD LUXON filters continue to supply filtered water without interruption during the flushing cycle.

The water flows through the inlet (1) and enters through the pre-filter (2) to the inside of the filter element.

The water then passes through the screen (3), and the particles are retained on the inside of the filter element (screen). The filtered water then flows out through the outlet (4).

When the pressure differential from inlet to outlet of the filter reaches the pre-selected level the flushing cycle starts (P). A hydraulic valve opens in the drain port, which initiates suction in the inner nozzles (5). This, along with the helical movement up and down the screen sucks the captured particles into the waste flow, and this is expelled out the drain port. (6)

The length of the flush cycle is pre-determined by the control unit. When the cycle is complete the flush valve closes and the flushing ends. The flushing process uses a minimal amount of water.



MATERIAL

Housing of the filter	Carbon steel epoxy-polyester coated (S-235-JR EPOXY- POLYESTER coated)
Filtering element	Stainless Steel AISI-316-L. PVC Structure
Scanner	Stainless Steel-304
Sealing elements	NBR
Drainage Valve	Polypropilene
Air release valve	1" BSP Triple effect. Manufactured in technical plastic

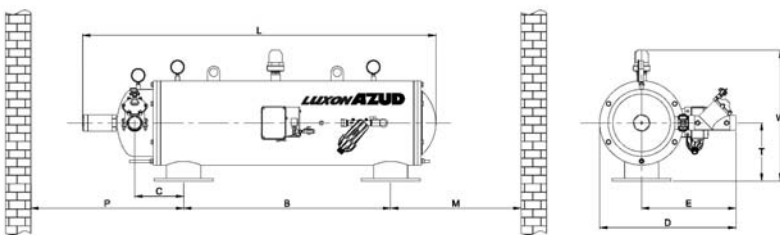
Battery or 220V AC control unit included.
Max. Pressure 10 bar / 145 psi • **Min. pressure** 2.5 bar / 36.3 psi
Max. temperature 60°C / 140 F

Model	DN CONNECTION					
	Inlet - Outlet Flange		Drainage Female - Thread		Filtering Surface	
	"	mm	"	mm	cm ²	in ²
AZUD LUXON LFH 2400/4	4"	100	2"	63	2400	370
AZUD LUXON LFH 4800/6	6"	150	2"	63	4800	745
AZUD LUXON LFH 7200/6	6"	150	2"	63	7200	1115
AZUD LUXON LFH 7200/8	8"	200	2"	63	7200	1115
AZUD LUXON LFH 9600/8	8"	200	2"	63	9600	1490
AZUD LUXON LFH 12000/10	10"	250	2"	63	12000	1860

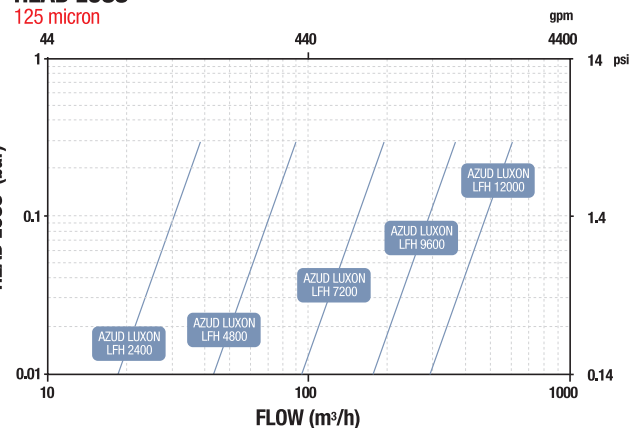
All models are with flange connections. DIN 2576.
 Ask for the rest of configurations in www.azud.com

Model	CONNECTION		FILTRATION				FLUSHING CYCLE				
	Inlet - Outlet Flange		Filtering Surface		Max flow		Flow rate		Time	Volume	
	"	mm	cm ²	in ²	m ³ /h	gpm	l/s	gpm	s	l	g
AZUD LUXON LFH 2400/4	4"	100	2400	370	80	350	0,8	13	18	15,5	4,1
AZUD LUXON LFH 4800/6	6"	150	4800	745	150	660	1,4	22	25-30	45	12
AZUD LUXON LFH 7200/6	6"	150	7200	1115	150	660	3,3	53	25-30	100	26
AZUD LUXON LFH 7200/8	8"	200	7200	1115	260	1145	3,3	53	25-30	100	26
AZUD LUXON LFH 9600/8	8"	200	9600	1490	300	1320	5,3	84	25-30	160	42
AZUD LUXON LFH 12000/10	10"	250	12000	1860	435	1915	6,4	101	25-30	215	57

The flow rate given by filter conditions the frequency of the flushing activation.
 Maximum recommended flow rate: 125 micron and water good quality.
 Min. flushing pressure: 2.5 bar / 36.3 psi in outlet manifold.
 Ask for other filtration grades.



HEAD LOSS



Model	DIMENSIONS																		WEIGHT			
	L		W		D		B		C		E		T		M		P		Full filter Weight		Empty filter Weight	
	mm	"	mm	"	mm	"	mm	"	mm	"	mm	"	mm	"	mm	"	mm	"	kg	lb	kg	lb
AZUD LUXON LFH 2400/4	1162	46	630	25	660	26	360	14	273	11	456	18	280	11	687	27	860	34	179	394	62	137
AZUD LUXON LFH 4800/6	1435	56	630	25	660	26	770	30	215	8	456	18	280	11	610	24	798	31	237	523	75	165
AZUD LUXON LFH 7200/6	1710	67	630	25	660	26	1000	39	237	9	456	18	280	11	635	25	1100	43	293	645	90	198
AZUD LUXON LFH 7200/8	1710	67	630	25	660	26	900	35	237	9	456	18	280	11	685	27	1150	45	299	659	96	212
AZUD LUXON LFH 9600/8	1985	78	630	25	660	26	1100	43	325	13	456	18	280	11	820	32	1460	57	438	968	131	289
AZUD LUXON LFH 12000/10	2260	89	630	25	660	26	1370	54	328	13	456	18	280	11	820	32	1740	69	457	1007	164	362

All models are with flange connections. DIN 2576.
 M-P = Minimal recommended distance for maintenance operations.
 Ask for the rest of configurations in www.azud.com